

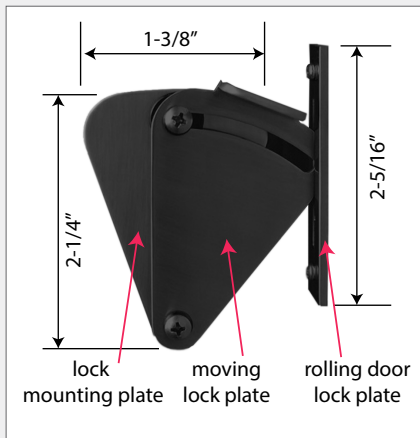
# Product Specifications: BarnCraft® Optional Hardware

## Sliding Door Privacy Lock Kits

These lock kits, available in 2 sizes, are designed to be mounted on the edge of the opening over which the sliding door slides, and are available in black or stainless steel.

- 1) The lock mounting plate screws onto the opening with 3 (included) screws; 2 round head screws on the top and bottom, and a flat head screw (not visible in photos) in the middle.
- 2) The moving lock plate mounts using the 2 round head screws and 2 washers (included).
- 3) The sliding door lock plate mounts on the edge of back face surface of the sliding door. Note that a 1/8" x 1-1/2" slot that is 1/4" deep must be cut into the door. This sliding door lock plate mounts over the slot.
- 4) The lock is set by rotating the moving lock plate into the slot on the sliding door lock plate.
- 5) Both sizes will work on all doors, but the Large lock looks and may function better with doors over 28 square feet. The regular lock measures about 1.75" x 2.25". The large lock measures about 3" x 3.25".

**Note:** GlassCraft will not prep doors for these locks, as the lock location varies for each specific installation.



# BDPL1 - Regular - Black finish



# BDPL2 - Large - Black finish



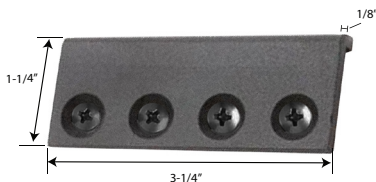
# BDPL1SS - Regular  
Stainless Steel finish



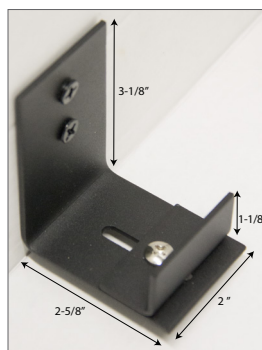
# BDPL2SS - Large  
Stainless Steel finish

## Additional Hardware Options

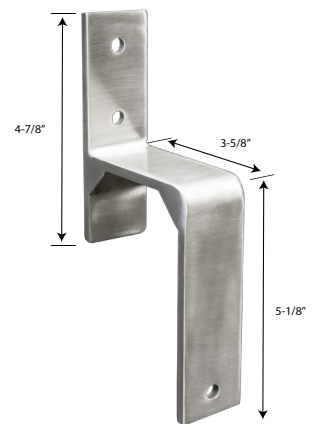
### Rail Connector



### Optional Wall-Mounted Floor Guide



### Bypass Bracket or Bypass Bracket Kit



### Soft-Close Attachment

