

Soft Close Option Assembly Instructions

The soft-close mechanism provides a safe and easy way to softly close your installed barn door. There are 2 soft-close mechanisms...each mounts on the back side and the bottom edge of the steel barn door rail using 4 Allen Set Screws. (Yes - the words on the soft close "Max Load 80KGS" will be upside-down when installed correctly).

When looking at the 2 mechanisms, you will note that there is an upward angle on the bottom edge of each. This angle is positioned toward the center or middle of the door...for each of the 2 mechanisms.

Parts included:

Right soft close X1

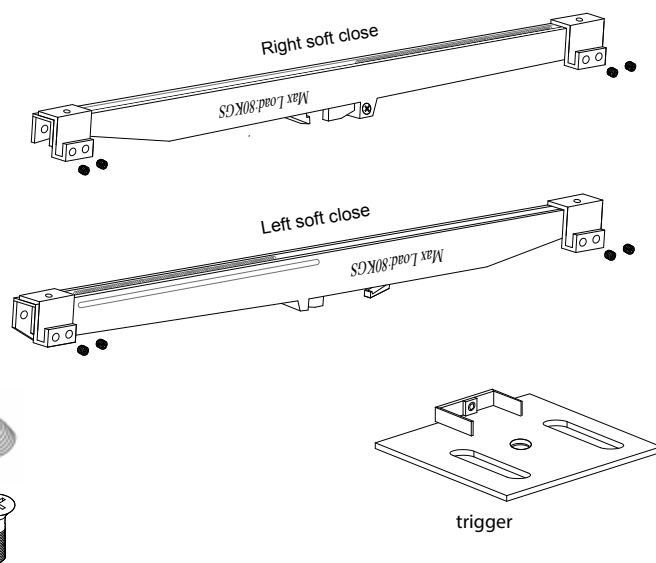
Left soft close X1

Trigger X2

Allen wrench X1

Allen Set Screw X8

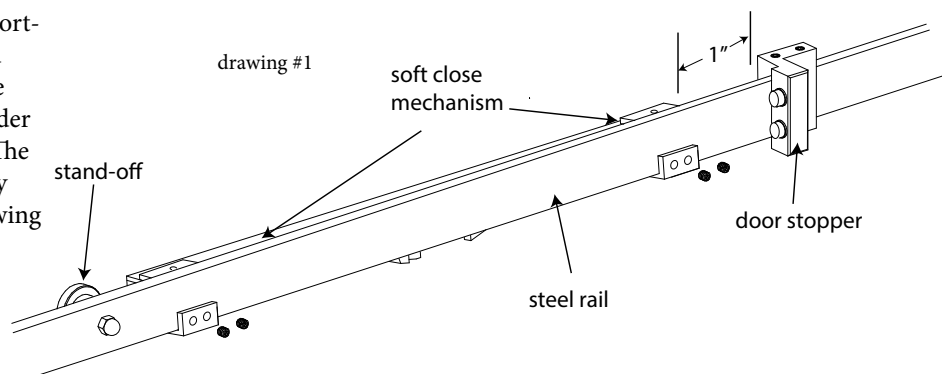
Phillips Head Screw X6



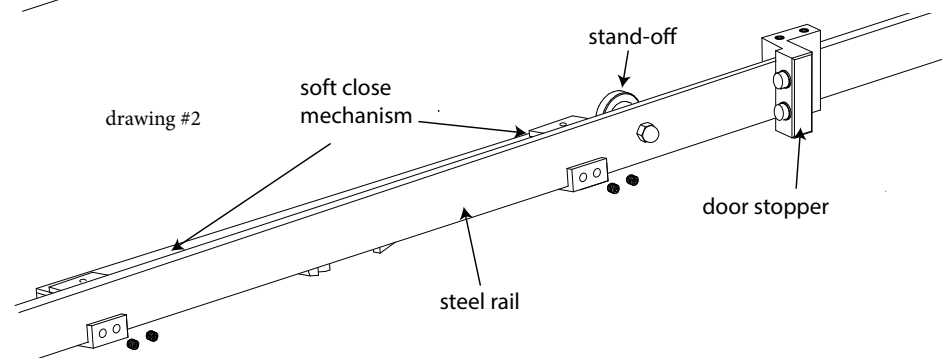
1. Position and Mount the 2 Soft Close Mechanisms.

After you have finished installation of your barn door including positioning and securing the 2 door stoppers - one on each end of the rail - and you have the barn door hanging on the rail, you should install the 2 soft close mechanisms. But **DO NOT MOUNT** the two Anti-Jump disks to the top of the door yet. (If you have already mounted them, you may need to take them off and re-install later, as the position of these Anti-Jump discs may interfere with your positioning of the soft-close hardware).

Location of the soft-close mechanism is important. The soft-close mechanisms are attached to the back side of the rail with the soft-close mechanism mounting bracket extending under the rail around to the front side of the rail. The brackets should be located about 1 inch away from the door stopper on each end. See drawing at right.



If it is not possible to locate the soft-close mechanism close to the door stopper due to the location of one of the stand-off spacers attached to the rail...then just mount the soft close mechanism immediately next to the stand-off spacer as close to the door stopper as possible. See drawing at right.



The soft-close mechanism is attached to the rail using the 8 Allen Set Screws included...4 nuts per mechanism. Use the Allen Wrench provided. After you install the soft-close mechanism on each end of the rail, make sure that the door opens and closes without touching the soft-close mechanism.

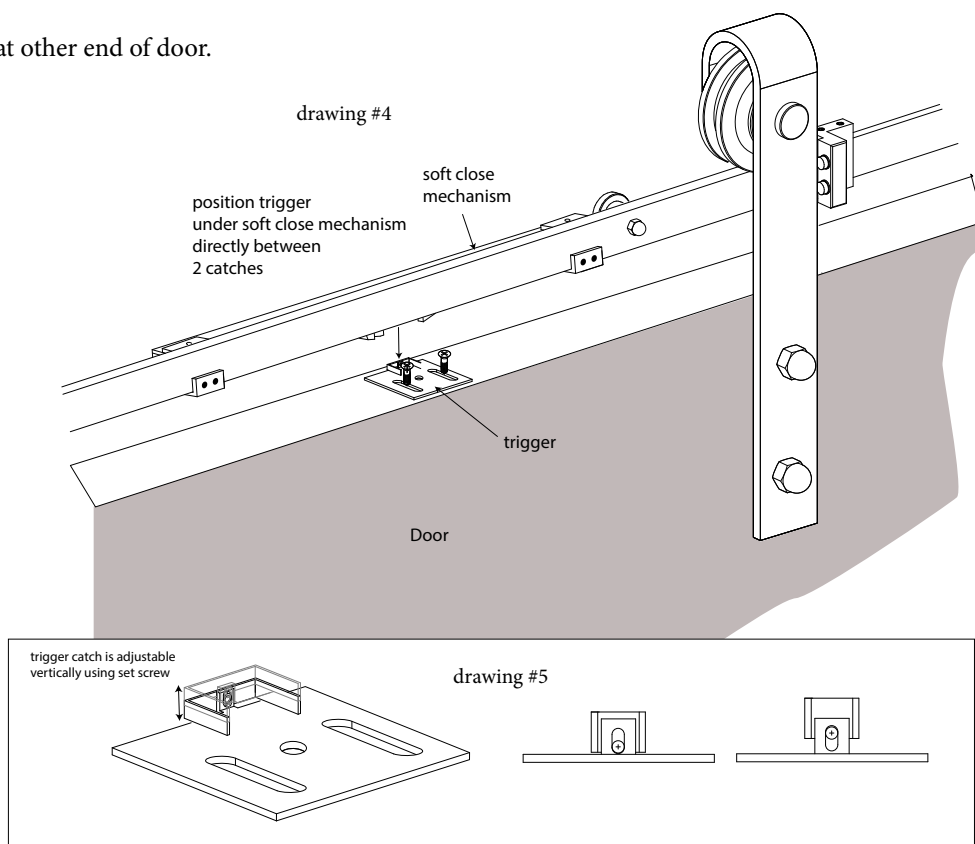
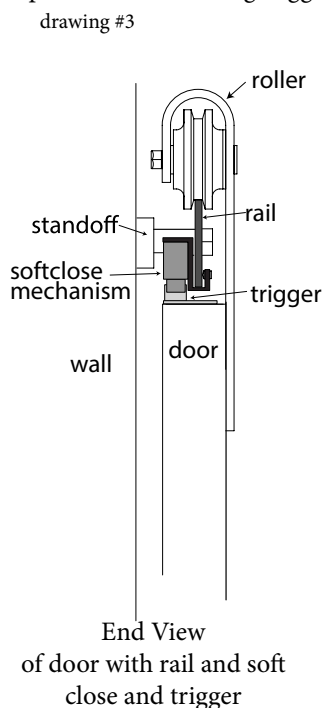
2. Position and Mount the 2 Soft Close Triggers.

After you have installed the 2 soft close mechanisms, you should mount the 2 triggers. The trigger is what is grabbed by the soft-close mechanism to close the door. These 2 triggers are mounted to the top edge of the door.

Close the door completely...under 1 of the 2 soft close mechanisms. Position 1 of the 2 triggers in place on the top edge of the door under the soft close mechanism. See drawing #4 below. Trigger must be located between the 2 spring-loaded catch guides on the bottom of the soft-close mechanism. Screw the trigger in place under the soft close mechanism using 2 Phillips Head screws on each Trigger...1 screw into each elongated slot.

Trigger may be adjusted after installation between the front side and the back side of the door. Trigger may also be adjusted vertically, by loosening and tightening the Set Screw on the vertical part of the trigger extending above the door.

Repeat process for mounting trigger at other end of door.



3. Adjust operation if needed and mount Anti-Jump Discs

After the triggers are installed, the soft-close function should be complete. If the doors are not closing completely on either end, you may need to slightly move the soft-close mechanisms to the right or left by a half-inch or so. Just loosen the 4 Allen Nuts...reposition the soft-close mechanism...and re-tighten the nuts.

After your door soft-close are functioning correctly...then mount the anti-jump rings between the 2 soft-close mechanisms on the top edge of the door.

And fasten the final 3rd Phillips Head Set Screw into each of the 2 triggers.

